

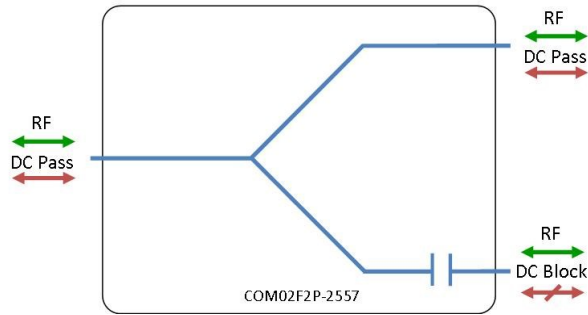


RF Components

Model Number:  
**COM02F2P-2557**

## 2-Way Passive IF-Band Splitter/Combiner

50-200 MHz



- One port DC blocked

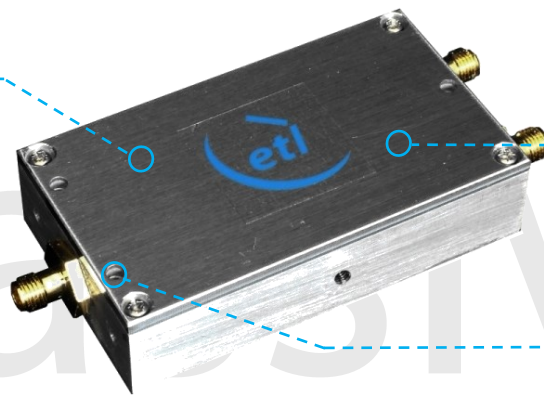
Available with RF connector options:

- 50 Ω SMA
- 50 Ω N-type
- 50 Ω BNC
- 75 Ω BNC
- 75 Ω F-type



**50-200 MHz**

Operating frequency range. IF-Band ready



**Compact**

Housed in rugged compact enclosure



**Flexible Mounting**

Tapped screw & through hole mounting options

Passive

RF Parameters					
COM02F2P-2557-XXXX	S5S5	N5N5	B5B5	B7B7	F7F7
Frequency Range	50-200 MHz				
RF Connectors	50Ω SMA	50Ω N-Type	50Ω BNC	75Ω BNC	75Ω F-Type
Mean Insertion Loss (dB)	0.4±0.3	0.4±0.3	0.4±0.3	0.6±0.3	0.6±0.3
Flatness ± (dB)	0.2	0.2	0.2	0.3	0.3
Input Return Loss (dB)	Typ.	36	36	36	16
	Min	30	30	30	11
Output Return Loss (dB)	Typ.	24	24	24	13
	Min	20	20	20	11
Isolation (dB)	Typ.	30	30	30	25
Amplitude Balance (dB)	≤0.2	≤0.2	≤0.2	≤0.5	≤0.5
Phase Balance (Φ)	≤2°	≤2°	≤2°	≤5°	≤5°

The given Insertion Loss specified is the loss above the theoretical limit for a lossless divider

**Broadcast**



**Marine Oil & Gas**



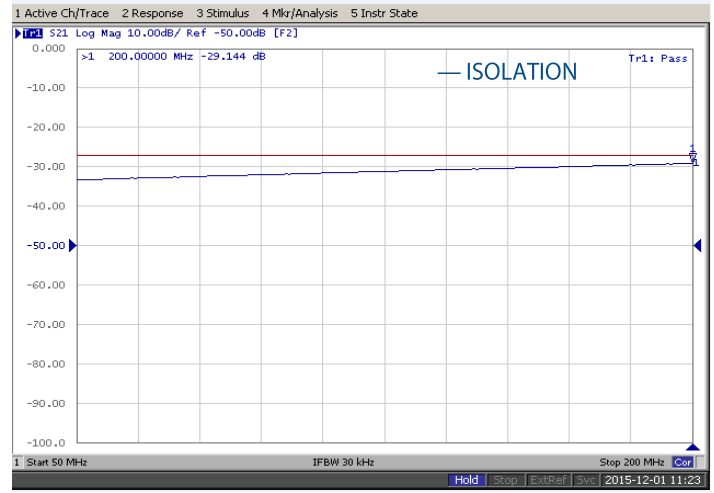
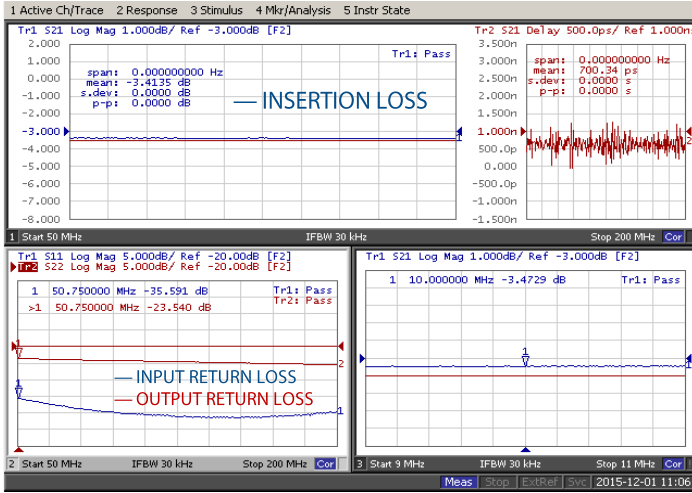
**SNG & VSAT**



**Satellite Teleport**



### Technical specifications and operating parameters

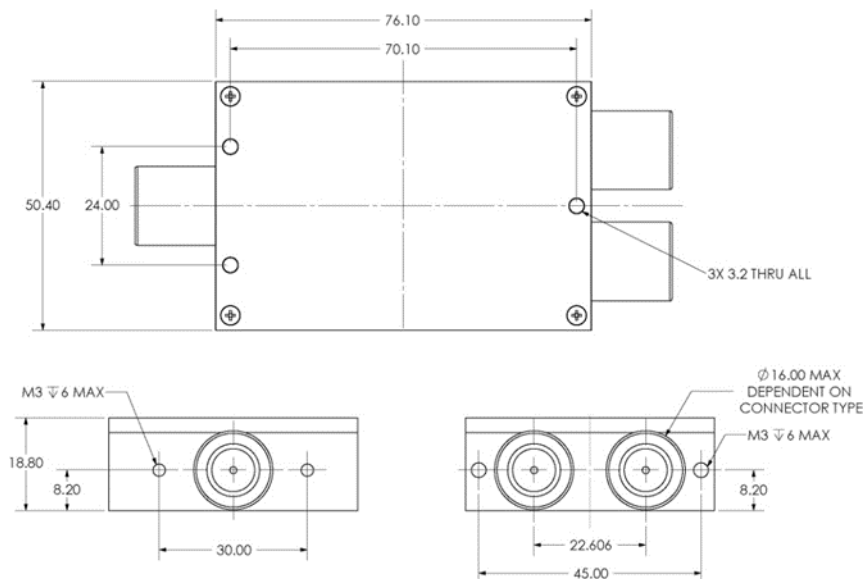


Environmental	
Operating Temperature	-40°C to +85°C
Storage Temperature	-55°C to +100°C
Location	Indoor use Only
Humidity	Max. 85% non-condensing
Altitude	Max. 10,000 feet

Max Operating Parameters	
Input RF Power into matched load with 20dB return loss	+27 dBm (500mW) as a splitter +18 dBm (62.5mW) as a combiner
DC Voltage	35V on any RF port
DC Current	2A
DC Consumption	N/A

**!** Operation beyond these limits may cause instantaneous and permanent damage.

### Physical Dimensions (mm)



Note: The specification is subject to regular reviews and will be updated from time to time as part of our continuing product development and improved specification accuracy.